



Applications

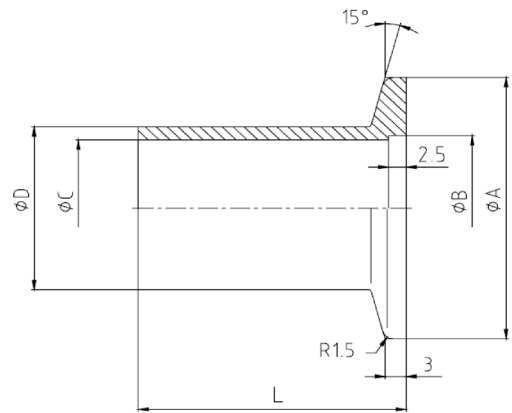
- Extreme UHV up to 10E-11 mbar
- Stainless steel for hasslefree operations
- For Inner and outer center rings
- Antimagnetic versions available
- For radiation hardened and cryo applications
- Temperature range -270 ... + 350 degC
- Extreme surface precision and flatness even under high bending
- Different welding stub length available

9

9

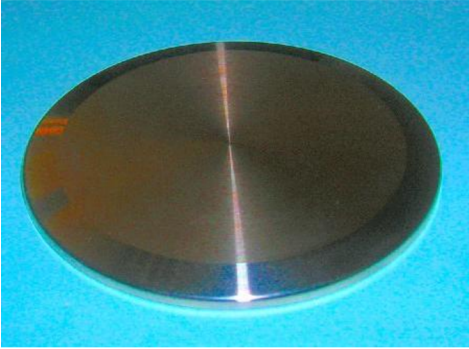
KF flanges, UHV

NW	A	B	C	D	L short	L long
10	30	12.2	10	14	20	50
16	30	17.2	16	20	20	50
25	40	26.2	24	28	20	50
40	55	41.2	40	44.5	25	50
50	75	52.2	50	57	30	60
63	87		70	76	30	60



Type NW	Short flange 316L	Short flange 304	Long flange 316L	Long flange 304
10	32.010003.111.510	32.010005.111.310	32.010003.112.510	32.010005.112.310
16	32.016003.111.516	32.016005.111.316	32.016003.112.516	32.016005.112.316
25	32.025003.111.525	32.025005.111.325	32.025003.112.525	32.025005.112.325
40	32.040003.111.540	32.040005.111.340	32.040003.112.540	32.040005.112.340
50	32.050003.111.550	32.050005.111.350	32.050003.112.550	32.050005.112.350
63	32.063003.111.563	32.063005.111.363	32.063003.112.563	32.063005.112.363

When it needs to be Tight



Applications

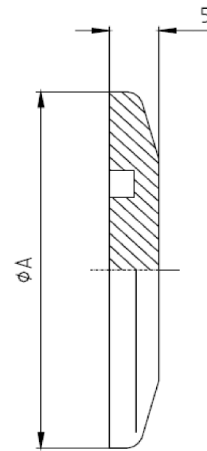
- Stainless steel blanking plates (304)
- Applications UHV 10E-11 mbar up to overpressure 20 bar
- For inner and outer center ring O-rings
- Wide temperature range -270...+300 degC (special seals / clamps)
- Suitable for Al edge type seals

10

10

KF blank flanges according to ISO 2861, UHV

NW	A
16	30
25	40
40	55
50	75
63	87



Type NW	SUS 304
16	32.016003.120.516
25	32.025003.120.525
40	32.040003.120.540
50	32.050003.120.550
63	32.063003.120.563

When it needs to be Tight



Applications

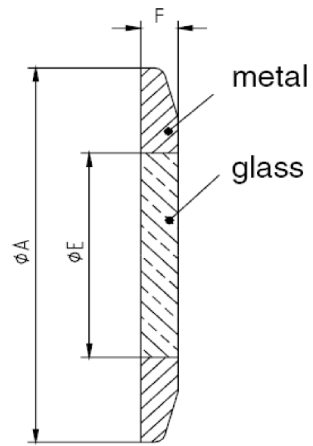
- Inspection windows for plasma and oven applications
- UV protection (Duran® windows)
- Basic temperature range of Duran® up to 450 degC
- Use of polymer O-rings with outer center ring only
- Use of Al metal seals with outer center ring possible
- Use of metal chainclamp possible
- Temperature range -30...280 degC
- Fused glass-metal for UHV up to 10E-11 mbar (Al gasket)

11

11

KF Viewports, UHV

NW	A	E	F
25	40	20	5
40	55	30	5
50	75	40	7
63	87	45	7



Type NW	Duran/1.4462		
25	32.025004.130.325		
40	32.040004.130.340		
50	32.050004.130.350		
63	32.063004.130.363		

When **it needs to be** **Tight**