



**Applications**

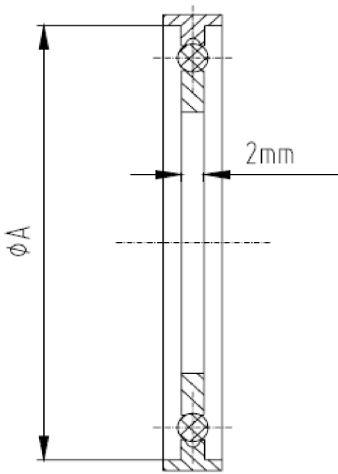
- Only for 4mm EVAC Glass system flanges
- For pressure applications up to 2 bar
- For ultra high vacuum applications 10E-9 mbar
- for ultrapure applications in combinations with quartz flanges
- Temperature range for Viton up to 200 degC
- Teflon carrier and outer center ring
- FEP for low temperatures down to -50 degC

**38**

**38**

**KF elastomer seals, 2mm for glass to glass connection**

NW	A
10/16	30
25	40
40	55
50	75
63	87



Type NW	Teflon / Viton	Teflon / FEP
10/16	34.016035.122.616	34.016031.122.216
25	34.025035.122.625	34.025031.122.225
40	34.040035.122.640	34.040031.122.240
50	34.050035.122.650	34.050031.122.250
63	34.063035.122.663	34.063031.122.263

**When it needs to be Tight**



**Applications**

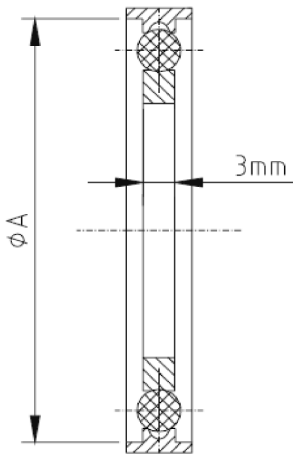
- Only for 4mm EVAC Glass to 3mm metal flange transition
- For pressure applications up to 2 bar
- For ultra high vacuum applications 10E-9 mbar
- for ultrapure applications in combinations with quartz flanges
- Temperature range for Viton up to 200 degC
- Teflon carrier and outer center ring
- FEP for low temperatures down to -50 degC

**39**

**39**

**KF elastomer seals, 3mm for glass to metal connection**

NW	A
10/16	30
25	40
40	55
50	75
63	87



Type NW	Teflon / Viton	Teflon / FEP
10/16	34.016035.123.616	34.016031.123.216
25	34.025035.123.625	34.025031.123.225
40	34.040035.123.640	34.040031.123.240
50	34.050035.123.650	34.050031.123.250
63	34.063035.123.663	34.063031.123.263

**When** it needs to be **Tight**