



Applications

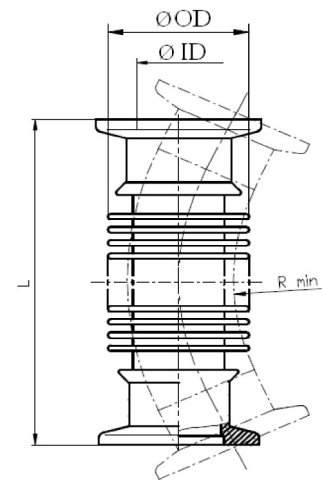
- Applications food, dairy, beverage, pharmaceutical, and biotech
- Vacuum 10E-7 mbar til overpressure 10 bar
- Fully sterilizable
- Easy to clean due to reduced dead space
- Temperature range -200 up to 200 degC (special seals / clamps)
- Other materials on request

75

75

sTeRlc Clamp™ hoses

Size	OD	ID	Rmin	L
8	14	8	40	250
10	18	10	50	250
15	25	16	70	250
20	30	20	85	250
25	37	25	100	250
32	45	32	110	250
40	55	40	130	250
50	68	50	150	250
65	84	65	185	250
80	100	80	215	250



Size	Stainless Steel
8	35.008005.911.308
10	35.010005.911.310
15	35.015005.911.315
20	35.020005.911.320
25	35.025005.911.325
32	35.032005.911.332
40	35.040005.911.340
50	35.050005.911.350
65	35.065005.911.365
80	35.080005.911.380

When it needs to be Tight